

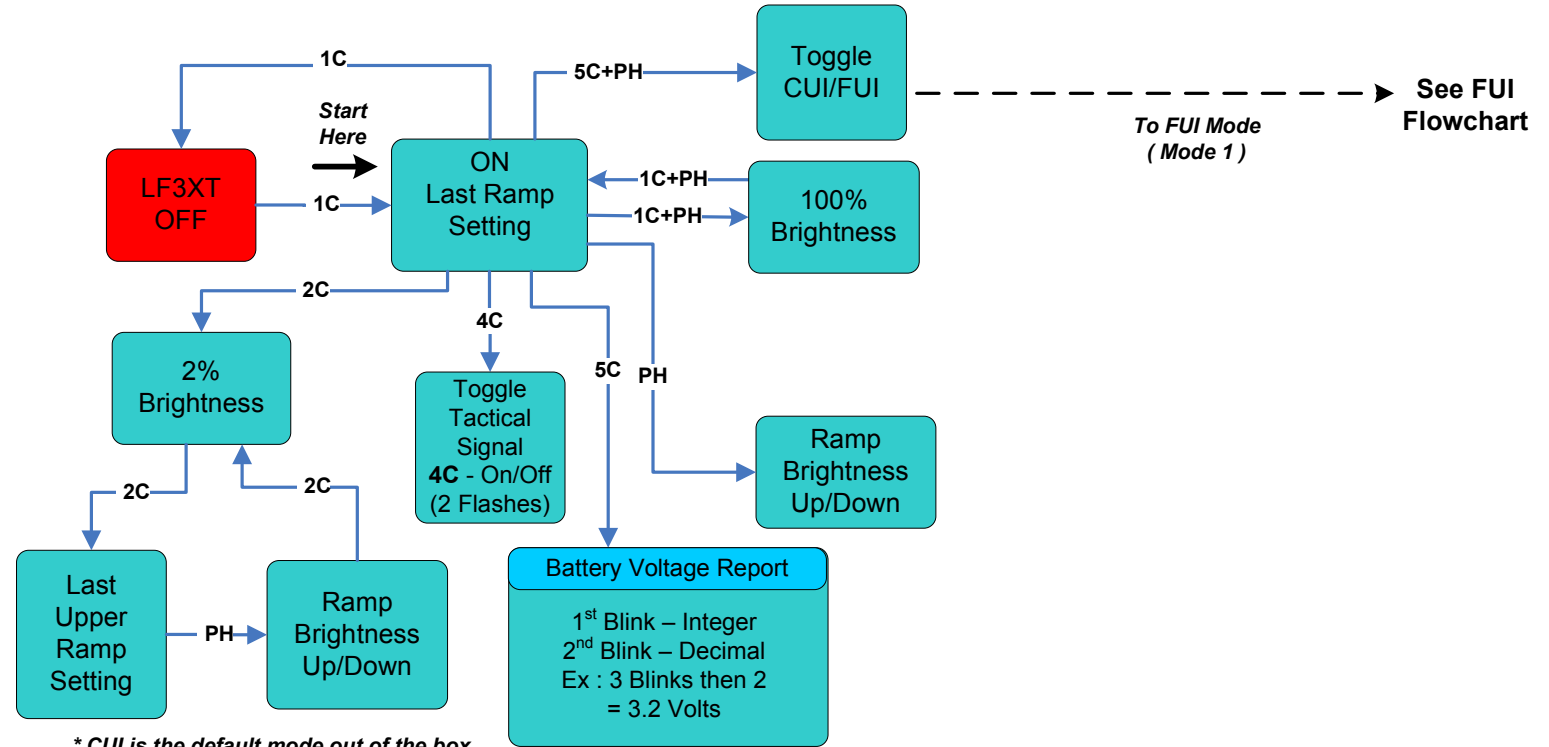
Liteflux LF3XT Programming Flowchart *CUI – Compact User Interface*

Legend

1C – 1 Click
2C = 2 Clicks, etc...
PH = Push & Hold

How to use this Flowchart

- * There are two different flowcharts. One for CUI Mode and one for FUI Mode.
- 1. Always start with the light off or at **Start Here**..
- 2. If you are lost in the programming tree, a couple of series of 3 Clicks will exit without saving anything.
- 3. Get familiar with CUI before programming FUI
- 4. When the light changes modes or remembers a setting it will blink twice.
- 5. Programming Suggestion - Find the option you want to set then work backwards until you get back to a root mode.



Liteflux LF3XT Programming Flowchart

FUI – Full Function User Interface

IMPORTANT INFORMATION

- Toggle / Other
- 3C+PH to Save, 3C to Cancel then return to Mode
- 3C+PH to Save & Return to Function 3C to Exit back to Mode (No Save)

