

# Liteflux LF3XT Programming Flowchart

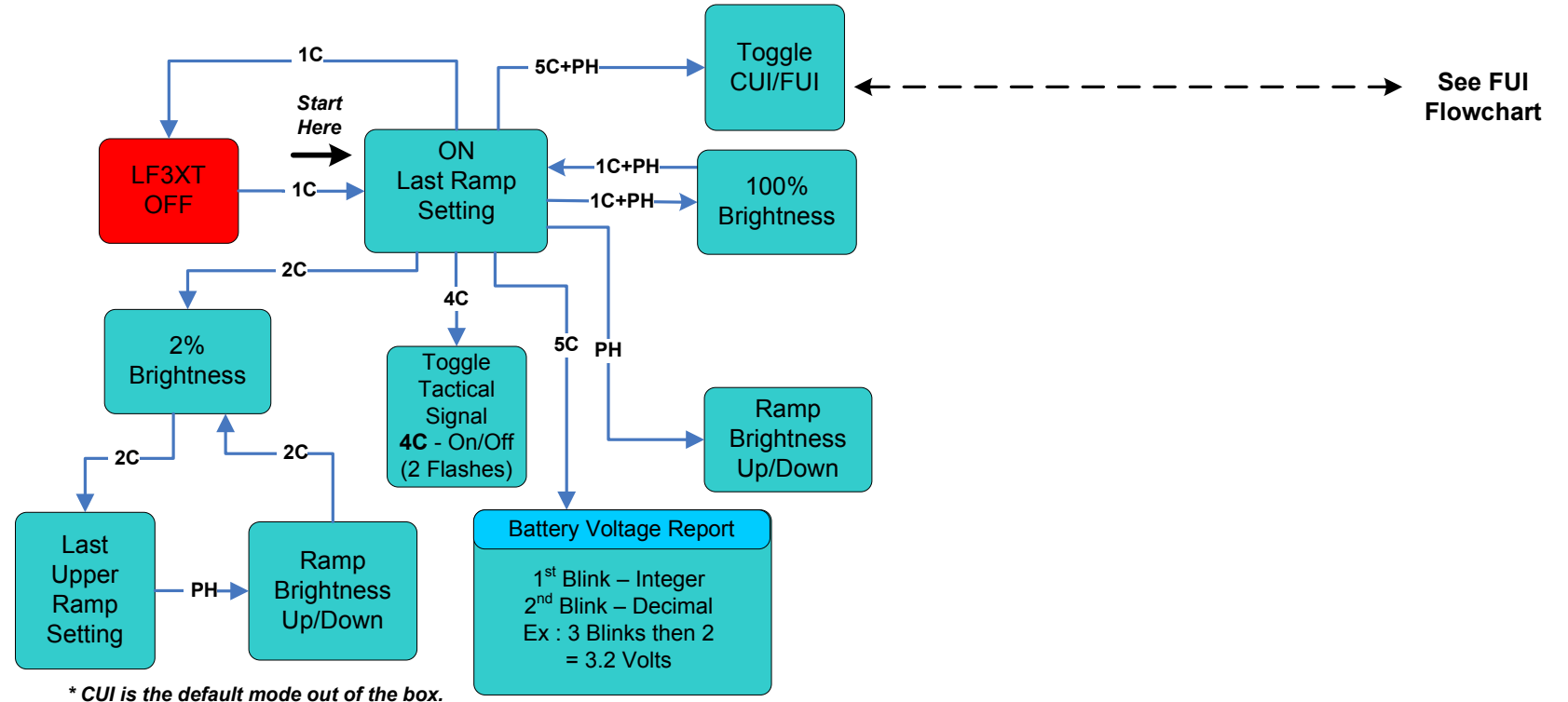
## CUI – Compact User Interface

### Legend

1C – 1 Click  
2C = 2 Clicks, etc...  
PH = Push & Hold

### How to use this Flowchart

- \* There are two different flowcharts. One for CUI Mode and one for FUI Mode.
- 1. Always start with the light off or at **Start Here**..
- 2. If you are lost in the programming tree, a couple of series of 3 Clicks will exit without saving anything.
- 3. Get familiar with CUI before programming FUI
- 4. When the light changes modes or remembers a setting it will blink twice.
- 5. Programming Suggestion - Find the option you want to set then work backwards until you get back to a root mode.



# Liteflux LF3XT Programming Flowchart

**FUI – Full Function User Interface**

**IMPORTANT INFORMATION**

- Toggle / Other
- 3C+PH to Save, 3C to Cancel then return to Mode
- 3C+PH to Save & Return to Function  
3C to Exit back to Mode (No Save)

