

Liteflux LF3XT Programming Flowchart

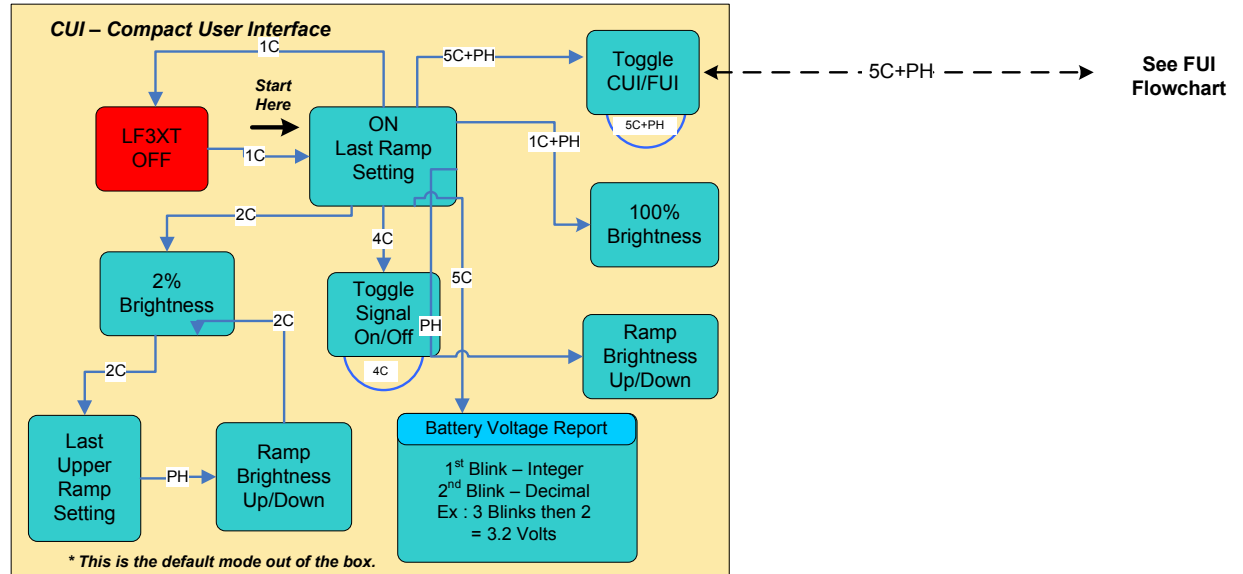
CUI – Compact User Interface

Legend

1C – 1 Click
2C = 2 Clicks, etc...
PH = Push & Hold

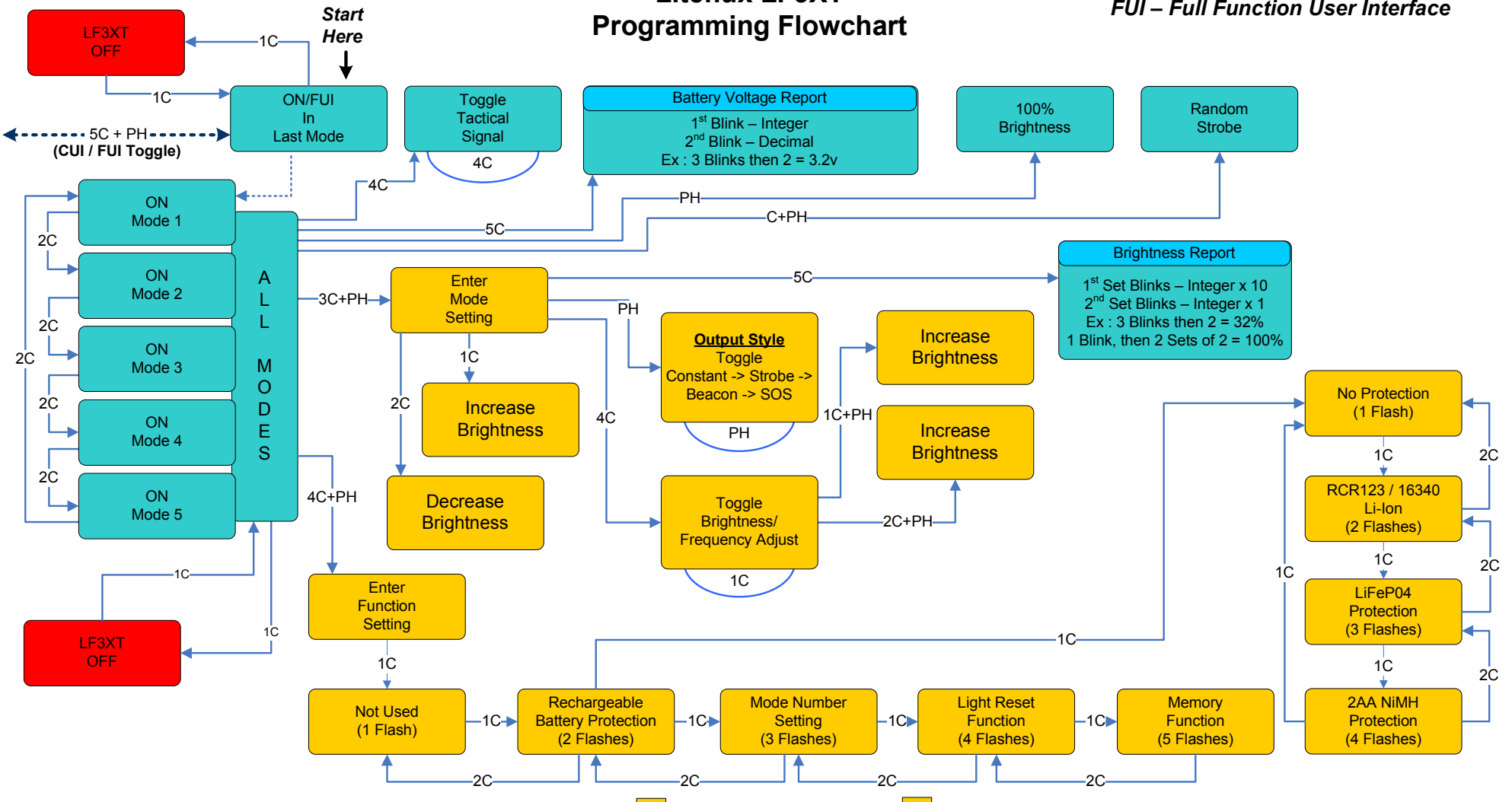
How to use this Flowchart

1. Always start with the light off or at **Start Here**.
2. If you are lost in the programming tree, a couple of series of 3 Clicks will exit without saving anything.
3. To Save a setting, Click 3 times and PH.
4. Get familiar with CUI before programming FUI
5. When the light changes modes or remembers a setting it will blink twice.
6. I suggest finding the option you want to set then work backwards until you get back to a root mode.



Liteflux LF3XT Programming Flowchart

FUI – Full Function User Interface



In Setting Mode

- Use 3C+PH to Save
- Use 3C to Exit and Discard

* These Always get you back to the Mode you started with.